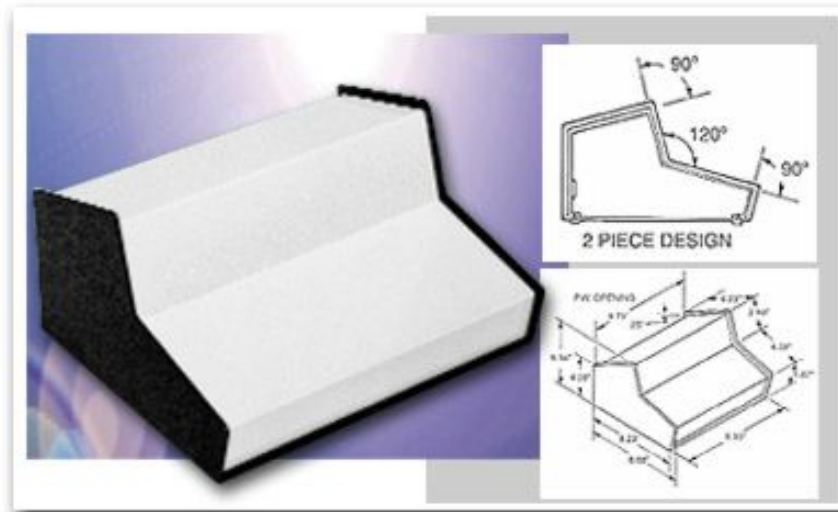


## Small Metal Enclosures Compucab Series SC-13100



[Click on Image for Larger View](#)

Another best-seller from Bud for good reason: These standard dual-slope enclosures have that custom-designed keyboard styling and, equally important, they can be used for a variety of instruments.

### **Design Features**

Base and side, .09"aluminim; back panel and cover, .05" aluminum. Rubber feet furnished. Two configurations(se SC-13101)

### **Bonus Features**

Maximum visibility, no exposed screws on front panel area. Knockouts in louvered rear panel. SC-13100 weighs 3.25 lbs. SC-13101 weighs 7 lbs.

### **Finishes**

Black Texture (BT) base with Smooth White cover.

Compucab Series		
Catalog Number	Drawings	Weight (Lbs.)
SC-13100	<a href="#">PDF</a> <a href="#">DXF</a>	3.25
SC-13101	<a href="#">PDF</a> <a href="#">DXF</a>	7.00

**DXF** Autocad DXF Specifications File  
(Requires CAD software such as AutoCAD)

**PDF** Adobe PDF Specifications File



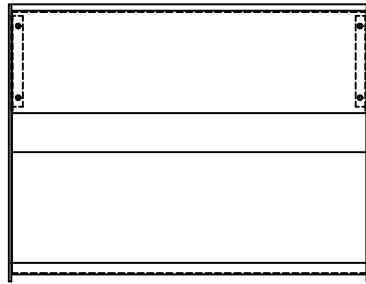
[Download PDF Viewer](#)

PART  
NAME

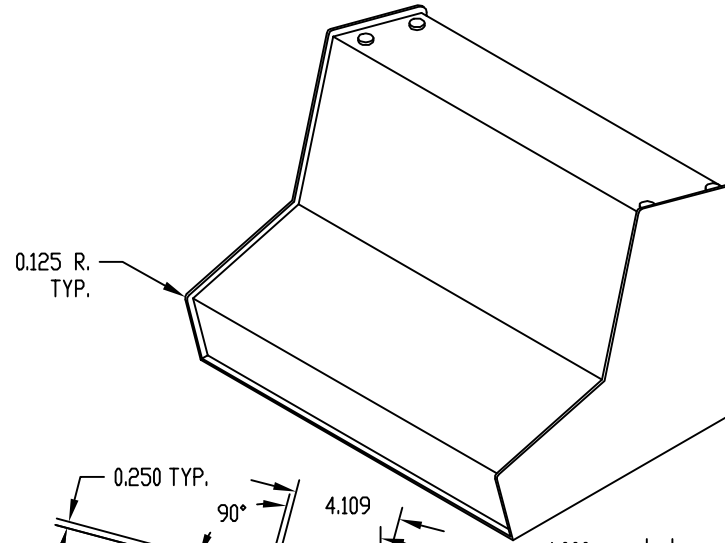
COMPUCAB

PART  
No.

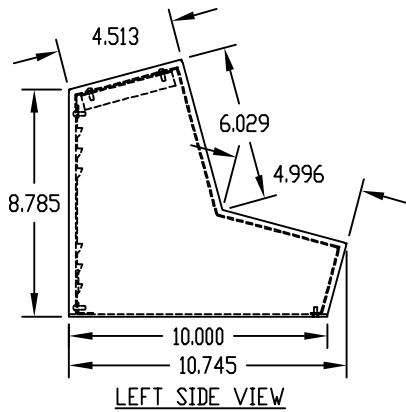
SC-13101



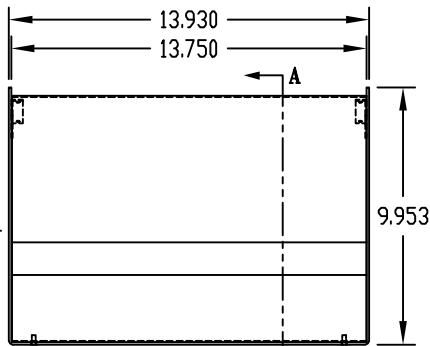
TOP VIEW



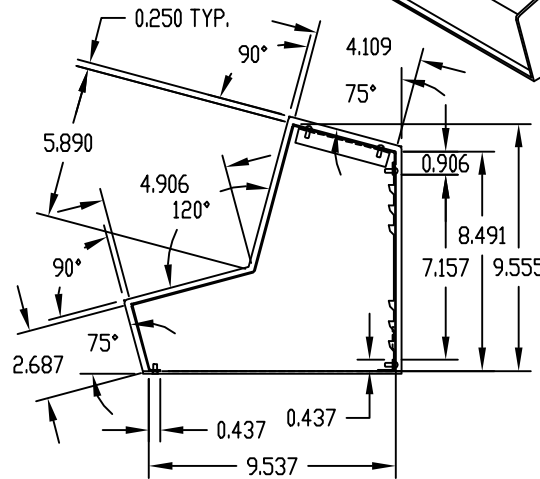
0.125 R.  
TYP.



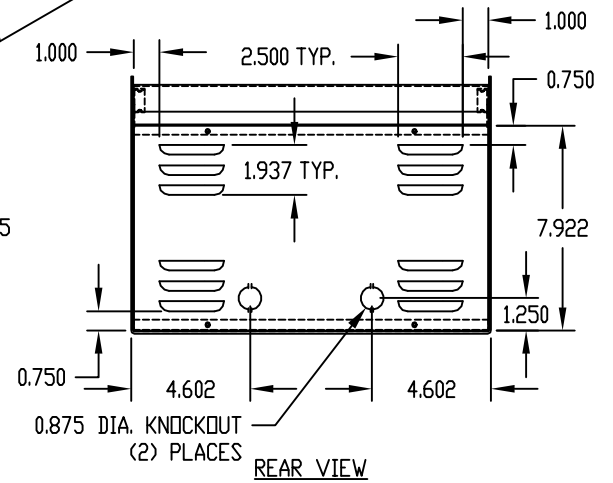
LEFT SIDE VIEW



FRONT VIEW



SECTION "A-A"



REAR VIEW



BOTTOM VIEW

**MATERIAL:**

BASE \_\_\_\_\_ 0.090 THK. ALUMINUM  
COVER & BACK PANEL \_\_\_\_\_ 0.050 THK. ALUMINUM

**FINISH:**

BASE \_\_\_\_\_ BLACK TEXTURED  
COVER & BACK PANEL \_\_\_\_\_ WHITE (PREPAINTED)  
FEET \_\_\_\_\_ BLACK

ASSEMBLED WITH TEN (10) #6-32 x 3/8 LG. SCREWS.

SUPPLIED WITH FOUR (4) SELF-ADHESIVE FEET.